

USE & CARE GUIDE

Waterwise 4000™

Countertop Steam Distiller/Purifier



See important safeguards on pages 2 and 3



An exclamation point within an equilateral triangle is intended to alert user to the presence of important operating and maintenance instructions in the literature accompanying the appliance.



A lightning bolt within an equilateral triangle is intended to alert user to risk of injury from electric shock.



Flame and steam vapor within an equilateral triangle is intended to alert user to risk of injury from boiling water and/or escaping steam.

IMPORTANT SAFEGUARDS

A person who has not read and understood all operating and safety instructions is not qualified to operate this appliance. When using this appliance, always adhere to basic safety precautions including:

READ ALL INSTRUCTIONS BEFORE USE. FOR HOUSEHOLD USE ONLY.



1. Use **INDOORS** on a dry, level, well-supported, stable surface. **DO NOT** operate in a moving vehicle.
2. **DO NOT** change position or location of Distiller while it is operating or cooling. Water in the boiler tank is heated to boiling (212° F) and can cause severe burns.
3. **DO NOT** remove cover from boiler tank while Distiller is operating. Boiling water or steam can cause severe burns. Let cool at least 30 minutes after a cycle is finished before removing boiler cover.
4. **DO NOT** allow children to be near Distiller without close supervision. Boiling water will scald if spilled on skin. Warn other users of possible dangers from boiling water and/or escaping steam.
5. **DO NOT** place near an edge of a surface where Distiller can be bumped or pulled down on someone. **DO NOT** allow power cord or extension cord to hang over the edge of counter or contact hot surfaces.
6. A short power supply cord is provided to reduce risks resulting from becoming entangled in or tripping over a longer cord. If an extension cord must be used, its marked electrical rating must be at least as great as the electrical rating of the Distiller. Electrical rating is found on bottom of Distiller.
7. **DO NOT** touch hot surfaces. Although insulated, bottom of Distiller gets very warm during operation. Be sure the surface it sits on is able to withstand heat.
8. To protect against fire, electrical shock, and injury to persons, **DO NOT** immerse power cord or Distiller in water or liquid.
9. **DO NOT** operate with a damaged cord or plug, after a malfunction, or if the Distiller has been damaged in any manner. Return to an authorized dealer or authorized service facility for examination, repair, or replacement.





10. This Distiller is recommended for use with potable water only. **DO NOT** attempt to make safe drinking water from non-potable water source. **DO NOT** use salt water as this will damage certain components and will void warranty.
11. Operate in a well-ventilated area away from other heat sources. Provide adequate air space (at least 4-6 inches from walls or cabinets) when in use. **DO NOT** place on or near a hot gas or electric burner, or in a heated oven. **DO NOT** place, store, or stack anything on top of or against sides of Distiller while in operation.
12. **DO NOT** operate without water in the boiler tank. Permanent damage may occur.
13. This Distiller requires no special care other than general cleaning and periodic filter cup replacement (page 6). If servicing becomes necessary, contact an authorized dealer or authorized service facility. **DO NOT** attempt to repair Distiller yourself. There are **NO** user serviceable parts. See warranty for details (page 12).
14. Unplug from wall outlet when not in use and before cleaning. Allow to cool completely before cleaning.
15. Fan cord receptacle is for Distiller use **ONLY**.
16. Make sure collection/storage bottle is correctly placed under filter cup for proper water collection.
DO NOT remove collection/storage bottle while Distiller is operating.
17. For best water quality and to prevent overflow of the collection bottle, **DO NOT FILL BOILER TANK ABOVE THE "FULL" LINE**.
Overfilling the boiler will jeopardize water quality and may result in damage to the Distiller that is not covered by the warranty.
18. **DO NOT** use appliance for other than intended use.



WARNING: NEVER REMOVE COVER WHILE FAN IS RUNNING. WAIT AT LEAST 30 MINUTES OR UNTIL UNIT HAS COMPLETELY COOLED AFTER SHUTOFF BEFORE REMOVING COVER!

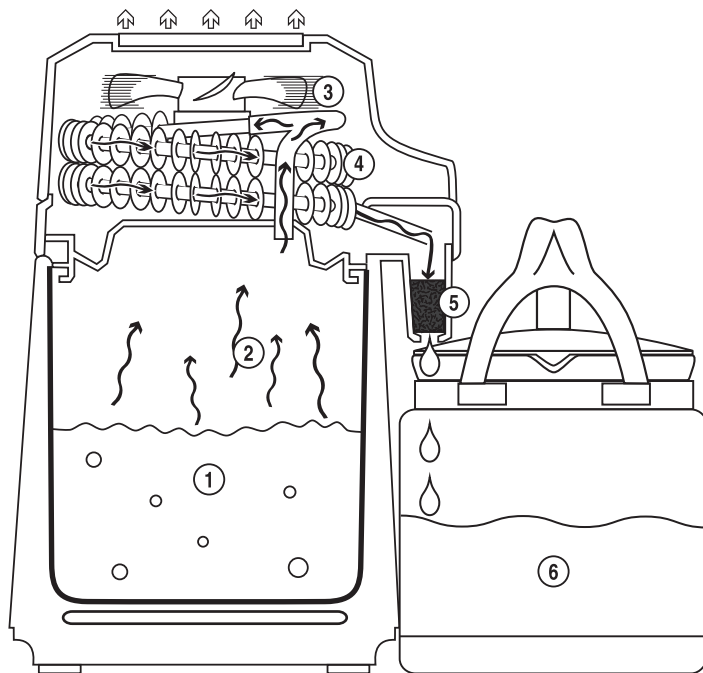
DO NOT CHANGE POSITION OR LOCATION OF DISTILLER WHILE IT IS OPERATING OR COOLING. WAIT AT LEAST FOUR HOURS AFTER CYCLE IS INTERRUPTED BEFORE MOVING DISTILLER.

SEVERE BURNS CAN RESULT FROM HOT, BOILING WATER OR STEAM.

SAVE THESE INSTRUCTIONS

HOW IT WORKS

Figure A



This Distiller produces purified water by using the oldest, most effective method of water treatment—steam distillation. When the Distiller is operating, the water temperature rises to 212° F (100° C), killing bacteria, cysts, and viruses that may be present. As boiling water (1) converts to steam (2), it rises and leaves behind dead microbes, dissolved solids, salts, heavy metals, and other substances. Low boiling light gases that may be present are discharged through the gaseous vent (3). Steam is then cooled in the stainless steel condenser (4), turning it into purified water. Distilled water percolates through a final polishing coconut shell carbon filter (5) to enhance quality by adsorption of VOCs (volatile organic compounds), then is collected in the glass collection/storage bottle (6).

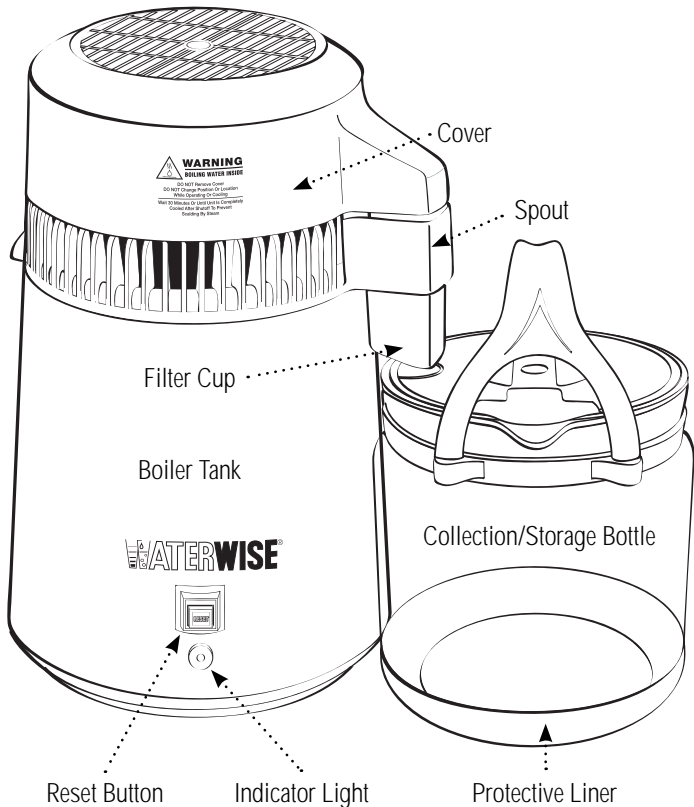
PREPARING FOR FIRST TIME USE

Clean Collection/Storage Bottle

Remove collection/storage bottle (fig. B) from **INSIDE** Distiller. Carefully remove contents and assemble per instructions included inside bottle.

- Fill bottle approximately three-fourths full with warm tap water
- Add one or two drops of dish detergent and wash bottle interior
- Rinse thoroughly

Figure B



Rinse and Sterilize Carbon Filter Cup

Remove the filter cup from Distiller by pushing inward and pulling down to unhook (fig. C). Before installing new filter cup, remove plastic wrap and discard the two protective seals (one on top and one on bottom). Pour 1 to 2 cups of **DISTILLED** water through the filter cup to rinse away any small harmless carbon fines (dust). Water draining from the filter cup could contain black dust. This is typical. This carbon dust is formed as a result of production, packaging and shipping of the filter cup. Once water

runs clear through the filter cup, to ensure optimum water purity, sterilize filter cup by fully immersing in boiling water for about five minutes. Allow filter cup to cool before handling. Rinse briefly with distilled water before installing.

Install Filter Cup

There is a label packaged with each filter cup. Write in the date of installation as a replacement reminder. Place the sterilized filter cup into opening of distiller spout. Hook over cover gasket and push up on the front of the filter to snap into place (fig. C).

Clean Boiler

Wash inside of boiler with soap and water. Rinse thoroughly. The unit is now ready for use.

Operational maintenance and replacement requirements are essential for this product to perform as advertised.

Figure C

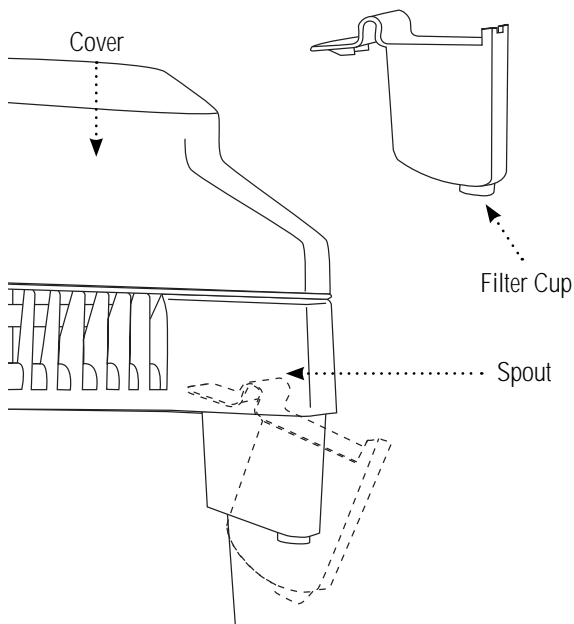
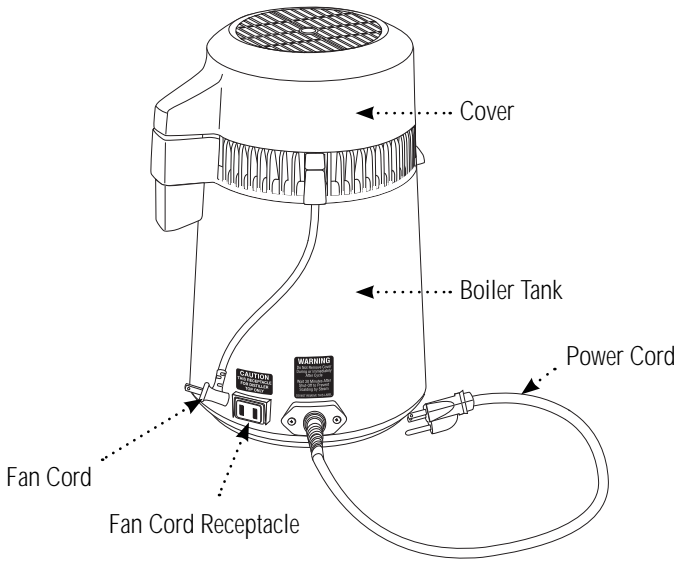


Figure D



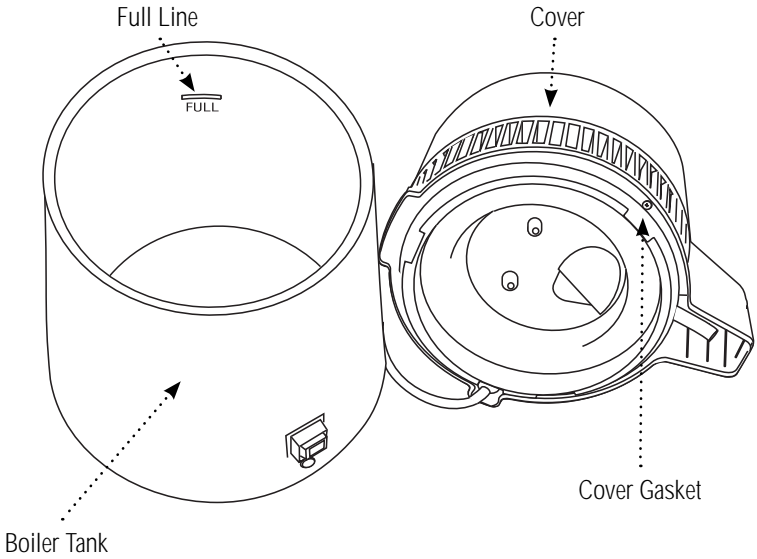
USING THE COUNTERTOP DISTILLER

1. Set Distiller on a dry, level, well-supported, stable surface.
2. Unplug fan cord from fan cord receptacle. Remove cover and set aside (fig. D).
3. Fill stainless steel tank to “FULL” line with approximately 1 gallon (3.8 liters) ordinary tap water. **DO NOT OVERFILL** (fig. E).
4. Check to be sure filter cup is locked in place (fig. C).
5. Replace cover on boiler tank and plug fan cord into receptacle.
6. Remove adapter cover from collection/storage bottle lid and align opening under filter cup (fig. B).
7. Plug power cord into a properly rated, grounded outlet.
8. If red indicator light is not lit, press reset button to turn on Distiller. Red indicator will light and fan motor will start.
9. After about 30 minutes, distilled water will begin to fill collection/storage bottle. When cycle is complete (approximately four hours for 1 gallon), Distiller turns off automatically. Wait at least 30 minutes before removing cover! **NEVER** remove cover while fan is running. Severe burns can result from hot, boiling water or steam.



WARNING: DO NOT CHANGE POSITION OR LOCATION OF DISTILLER WHILE IT IS OPERATING OR COOLING. WAIT AT LEAST FOUR HOURS AFTER CYCLE IS INTERRUPTED BEFORE MOVING DISTILLER. SEVERE BURNS CAN RESULT FROM HOT, BOILING WATER OR STEAM.

Figure E

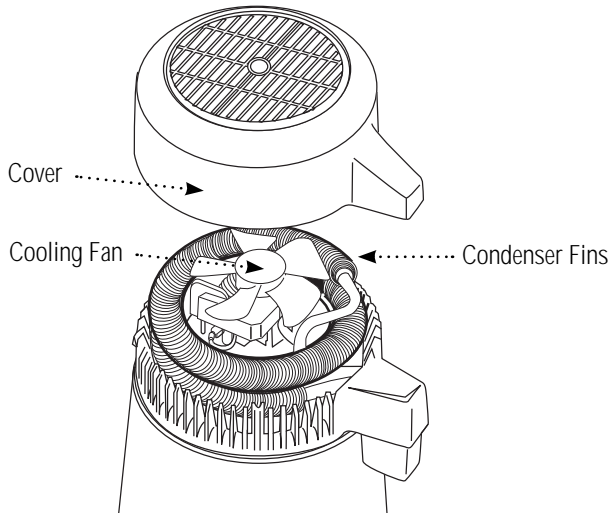


10. Unplug power cord from electrical outlet.
11. Discard first gallon of distilled water as it may contain some harmless matter from manufacturing and/or packaging.
12. Rinse boiler thoroughly before refilling.



WARNING: To prevent personal injury or electric shock, **DO NOT** immerse the Distiller, its boiler tank, its cords or plugs in water or other liquid.

Figure F



DISTILLER MAINTENANCE



WARNING: Always be sure to unplug power cord from electrical outlet before cleaning or servicing Distiller.

Boiler Tank

Rinse the boiler tank with warm water before every distillation cycle to remove any loose residue. As scale deposits accumulate, use an approved cleaner, such as **KLEENWISE**, to remove deposits. White vinegar or automatic coffee pot cleaner can also be used. **DO NOT** operate Distiller with cleaning solution in boiler tank. Use a soft plastic or nylon scouring pad if needed. **DO NOT** use abrasive cleaners, caustic acids, steel wool pads or metal utensils. Rinse thoroughly after cleaning. Wipe outside of Distiller with a soft cloth or sponge and mild soapy water.

Condenser Fins

Dirty condenser fins can cause poor cooling efficiency. If you notice steam coming from the filter spout or a decrease in the amount of distilled water, clean the condenser fins.

- Remove three screws (located under gasket) from the cover (fig. E)
- Clean accumulated dust/dirt from condenser fins with small brush or vacuum cleaner (fig. F)
- Replace cover and secure with the three screws

Collection/Storage Bottle

See page 5 for cleaning instructions.

Carbon Filter Cup

The filter cup should be replaced every two months or 60-80 gallons of water processed (whichever comes first). Replace more often should the distilled water begin to have an unwanted taste or odor. Rinse and sterilize new filter cup per instructions on page 5. Discard first gallon of distilled water as it may contain small, harmless carbon fines. Order replacement filters from the outlet where you purchased your distiller.

TROUBLESHOOTING

1. Not making distilled water.
 - A. Power cord not plugged in.
 - B. No electricity at outlet.
 - C. Fan cord not plugged into fan cord receptacle.
 - D. Reset button not pressed.
 - E. No water in boiler tank.
2. Not making enough water each cycle.
 - A. Fan cord not plugged into fan cord receptacle.
 - B. Boiler tank not filled to "FULL" line.
 - C. Collection/storage bottle not placed properly under filter cup.
 - D. Cover gasket not sealing properly or needs to be replaced.
 - E. Condenser fins dirty (see page 9).
 - F. Ambient conditions such as room temperature and humidity.
See Important Safeguards, page 3, number 11.
3. Steam coming from filter cup.
 - A. Fan cord not plugged into fan cord receptacle.
 - B. Condenser fins dirty (see page 9).
4. Water leaks from unit.
 - A. Protective seals on filter cup have not not been removed.
 - B. Filter cup not properly prepared (see page 5).
 - C. Filter cup not properly aligned/fastened under spout (fig. C).
 - D. Collection/storage bottle not placed properly under filter cup.
 - E. Cover gasket not sealing properly or needs to be replaced.



IMPORTANT: There are **NO** user serviceable parts inside Distiller. Removal of the base plate may void warranty. Contact qualified service personnel for repair if the above troubleshooting tips fail.



WARNING: Always be sure to unplug power cord from electrical outlet before cleaning or servicing Distiller.

PRACTICAL USES FOR CLEAN DISTILLED WATER

Drinking...

it's healthy and delicious

Complexion Care...

daily cleansing without pore clogging impurities

Cooking...

enhances natural taste and appearance without unsavory chemicals

Aquariums...

fish thrive in a clean, clear, chlorine-free tank

Houseplants...

*eliminate brown tips on foliage and salt deposits on flower pots—
enjoy blooms longer*

Coffee, Tea & Cocoa...

you'll enjoy truer, richer flavors while using less

Fruit Juices...

experience the freshly squeezed, natural flavor

Low Sodium Diets...

up to 99.9% sodium free

Steam Irons & Humidifiers...

no damaging scale buildup means longer product life

Ice Cubes...

crystal clear and sparkling—won't spoil your drink

Pet Care...

pets will enjoy the same benefits people do

Baby Formulas...

pure enough for formulas, inhalation therapy and herbal tinctures

and many other uses you'll discover...

WARRANTY REGISTRATION CARD

Please fill out and return the enclosed registration card or register online at
<http://www.waterwise.com/customers/customers.asp>

Registration will not affect warranty coverage, but may expedite processing of your warranty. Registration is the only way to guarantee you will be notified by Waterwise of any issues that arise concerning this product.

OWNER'S LIMITED WARRANTY

Waterwise warrants, to the original purchaser, this product against defects in materials and workmanship, excluding the disposable carbon filter and gasket, for a period of one (1) year from the date of purchase. Defects or failures due to shipping/handling, improper use or maintenance, including abuse or neglect, normal wear, water conditions, accidents, alterations or modifications, or unauthorized repair are specifically excluded from this warranty. No dealer, distributor, agent, representative, or other person is authorized to extend or expand this warranty.

Waterwise is not responsible or liable for personal injury, property damage, or incidental or consequential damages arising out of, or in connection with, the use or performance of the product or other damages with respect to loss of use, or costs of removal, installation, or reinstallation.

Waterwise will, at its option, replace or repair the defective part(s) without charge, provided they are returned, transportation prepaid by owner, to an authorized service facility or to the address below. Enclose a letter describing the problem, copy of dated proof of purchase, and your name, address and daytime telephone number.

This limited warranty does not guarantee uninterrupted service. Repair or replacement as provided under this warranty is the exclusive remedy of the purchaser. This limited warranty is in lieu of all other warranties, expressed or implied, including, but not limited to, any implied warranty of merchantability or fitness for a particular use or purpose. This warranty gives you specific legal rights and you may also have other rights which vary from state to state or province to province.

Outside the United States, a different warranty may apply. For details, please contact your authorized Waterwise distributor.



3608 Parkway Blvd • Leesburg Florida 34748-9399 • (352) 787-5008 • Fax: (352) 787-8123
www.waterwise.com • E-mail: service@waterwise.com